

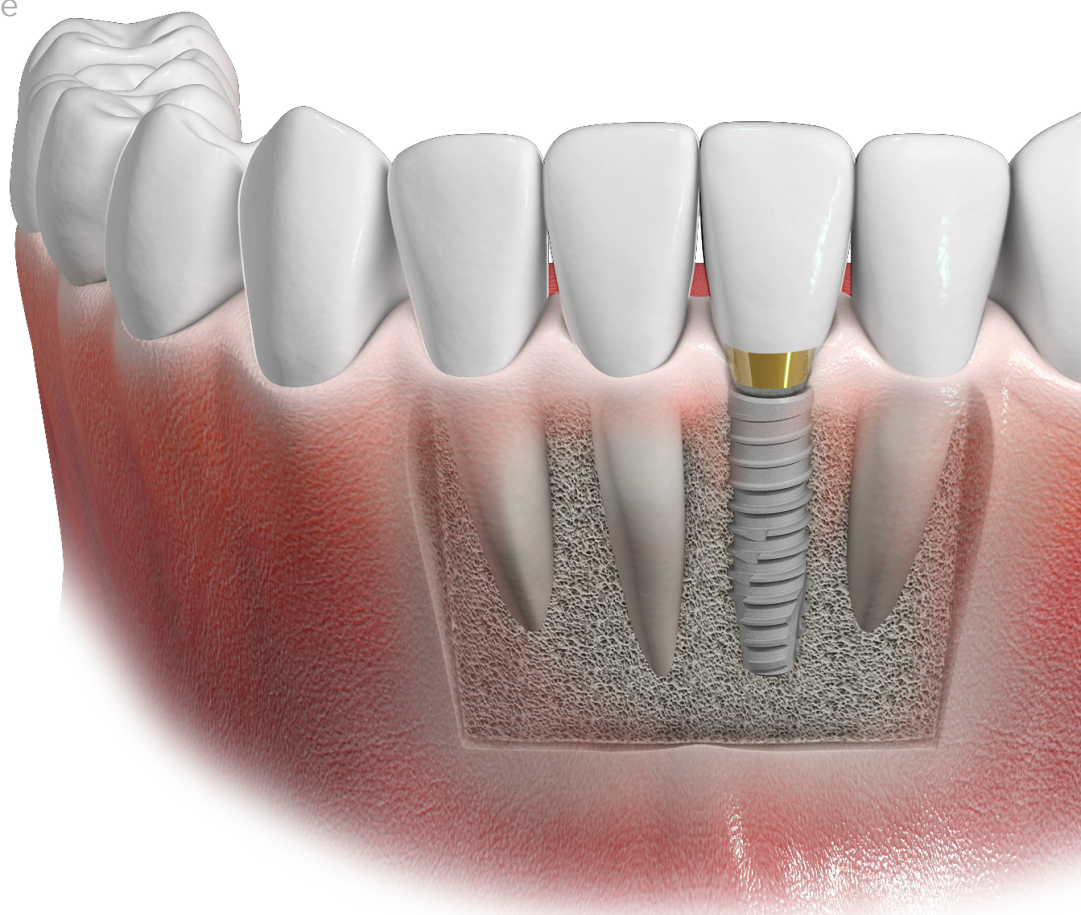
IS-III active S-narrow

2019.04 E Ver.01

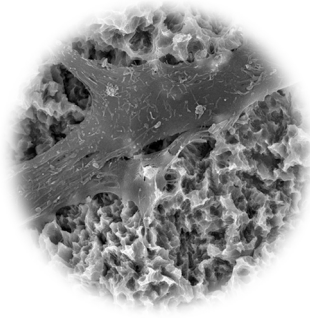
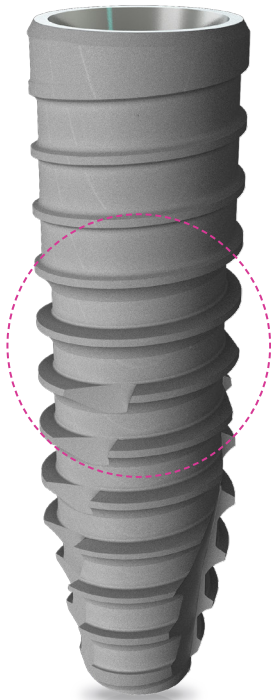


Find Neobiotech online

Super Narrow
for Anterior Mandible
(Narrow Ridge)

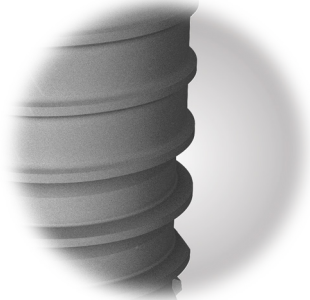


IS-III active S-Narrow Features



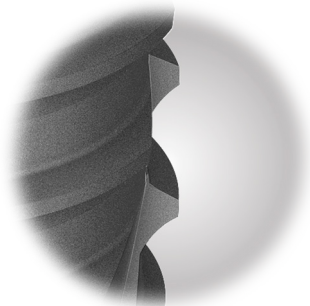
S.L.A. Surface

The new S.L.A Surface with 40% greater surface area and 50% more cell adhesion promotes osseointegration



Straight Body

Easy to adjust implantation depth



Deep & Wide Pitch

Optimum Pitch for osseointegration
(0.9Pitch)



Wide Cutting Edge

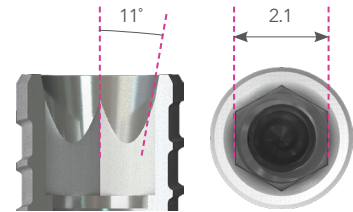
Wide cutting edge and enlarged surface area enhances initial fixation and offers clinicians more stable implant placement

M2.0 Connection



- One Piece Type
- Cover Screw
 - Healing Abutment

Internal Conical Seal 11° 2.1 Hex

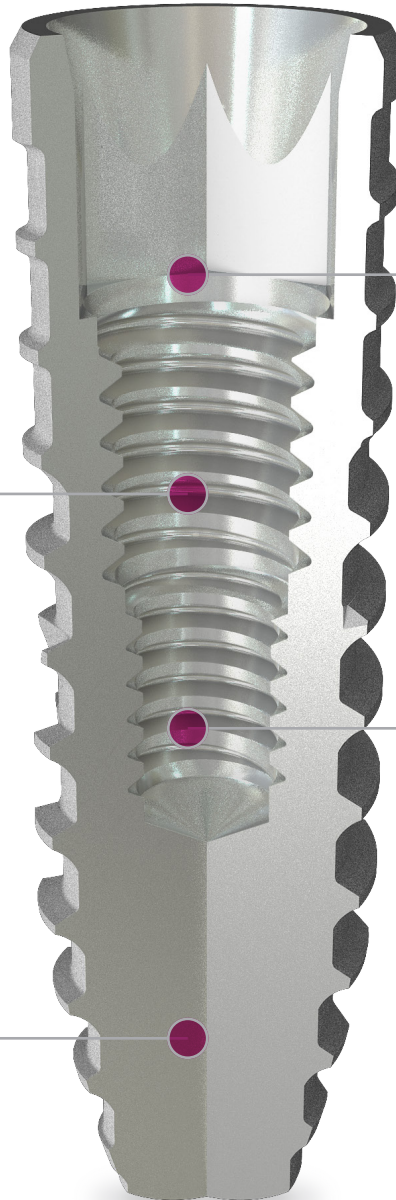


M1.6 Connection

- Two Piece Type
- PickCap Impression Coping
 - Temporary Abutment
 - Cement Abutment
 - Angled Abutment

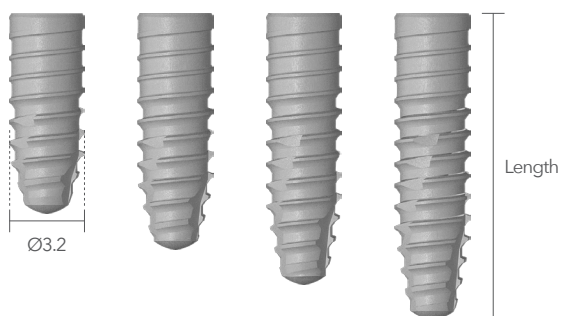


Grade23 : Ti-6Al-4V ELI



IS-III active S-Narrow Line Up

Fixture



Diameter	Length	Code
Ø3.2	8.5 mm	IS3SN3008AP
	10.0 mm	IS3SN3010AP
	11.5 mm	IS3SN3011AP
	13.0 mm	IS3SN3013AP

* Cover Screw not included

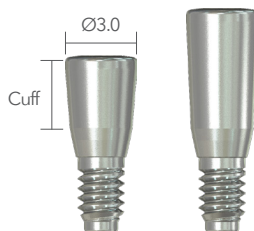
Cover Screw & Healing Abutment

Cover Screw



Diameter	Code
Ø3.0	ISC25S

Healing Abutment



Diameter	Ø3.0	
Cuff	3 mm	5 mm
Code	ISH3003	ISH3005



Diameter	Ø3.8	
Cuff	3 mm	5 mm
Code	ISH3803	ISH3805

Prosthetic Flow Chart



Temporary
Abutment



Cement
Abutment



Angled
Abutment



Lab Analog



PickCap Impression
Copping



IS-III active
S-narrow (ø3.2)

IS-III active S-Narrow Prosthesis

Cement Abutment (Hex)



Diameter	Post	Cuff	Code
Ø3.5	7 mm	3 mm	ISAH3537
		4 mm	ISAH3547
		5 mm	ISAH3557
		7 mm	ISAH3577

* Screw included ISCS16S : S-Narrow (Ø3.2)

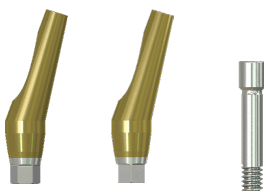
Cement Abutment (Non-Hex)



Diameter	Post	Cuff	Code
Ø3.5	7 mm	3 mm	ISAN3537
		4 mm	ISAN3547
		5 mm	ISAN3557
		7 mm	ISAN3577

* Screw included ISCS16S : S-Narrow (Ø3.2)

Angled Abutment (17°)



Diameter	Post	Cuff	Type	Code
Ø3.2	9 mm	3 mm	A	ISAHA1739
			B	ISAHB1739

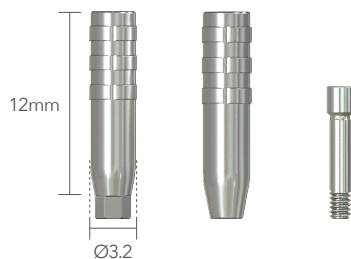
* Will be launched on September 2019

* Screw included ISCS16S : S-Narrow (Ø3.2)

A : Angle to the edge
B : Angle to the flat wall

06/07

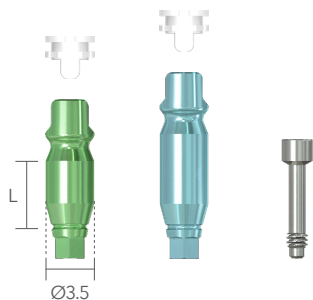
Temporary Abutment



Diameter	Length	Connection	Code
Ø3.2	12 mm	Hex	ISAHT300
		Non Hex	ISANT300

* Screw included ISCS16S : S-Narrow (Ø3.2)

PickCap Impression Coping



Diameter	Length	Code
Ø3.5	5 mm	ISSNPCI3505C
	7 mm	ISSNPCI3507C

* Screw & Cap included
ISPCIS16 : S-Narrow (Ø3.2)
PCISC01 : Small Cap

Lab Anlog



Diameter	Code
Ø3.2	ISLA300

Surgical Kit

The top, middle, bottom tray and components of the S-narrow Kit is sold separately

Kit Tray Top	CSTKITTRAY1
Kit Tray Middle	SNKITTRAY2
Kit Tray Bottom	CSTKITTRAY3



08/09

Drill Extension



Code	
DE01	

Cortical Tap



Diameter	Code
Ø3.2	CT32S09

Hex Driver



Code
HD1215S

Guide Point Drill



Diameter	Code
Ø1.35	PD13

Cortical Drill



Diameter	Code
Ø3.1	ISCD32

Direction Pin



Diameter	Code
Ø3.6	DP36

Surgical Drill



Diameter	Code
Ø2.2	TSDS22CL
Ø2.7	TSD27CL

Fixture Driver



Code
ISFDSNRL
ISFDSNCL

Connector



Code
RC15S

Drill Stopper



8.5mm	10mm	11.5mm	13mm
DS085CS	DS100CS	DS115CS	DS130CS

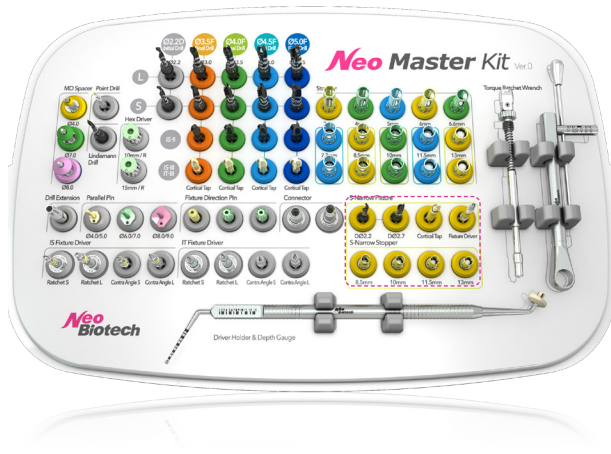
Torque Ratchet



Code
TW60

Surgical Kit

Tools from S-narrow Kit can be mounted on spare parts of the Neo Master Kit (Sold separately)



Surgical Drill



Drill Stopper



Cortical Tap

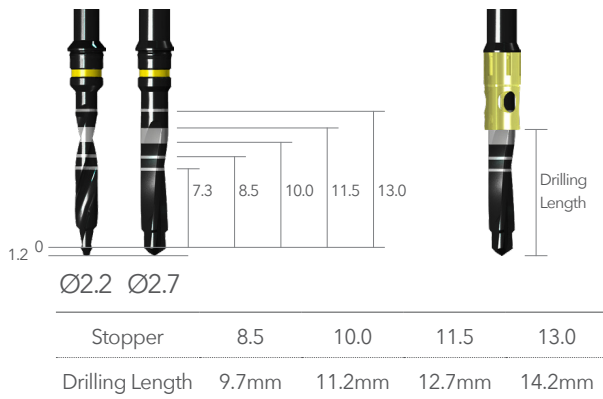


Fixture Driver

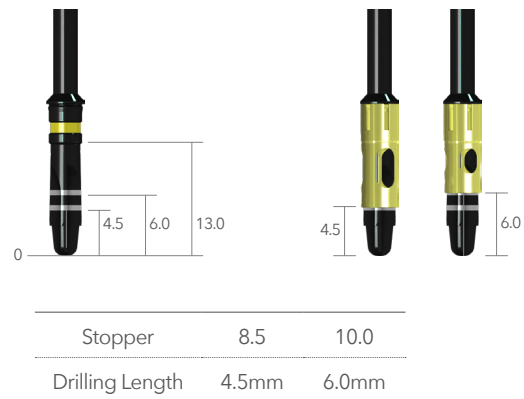


Drill Length

Surgical Drill



Cortical Drill

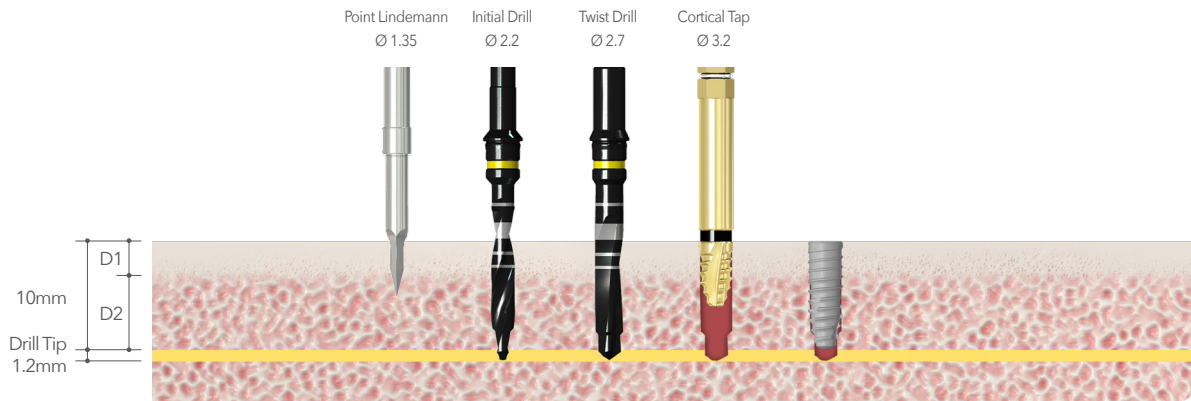


Drilling Protocol

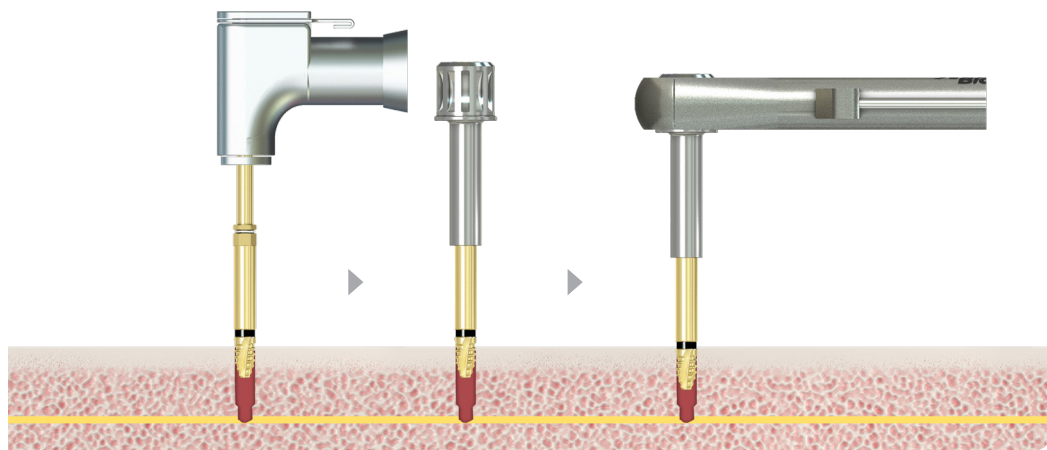
Drilling Speed & Torque

Guide Point Drill, Surgical Drill : 1,200rpm / 35~45Ncm Cortical Tap : 50rpm / 50Ncm

IS-III active Fixture $\varnothing 3.2$ X 10mm (D1/D2 bone)



In case of soft(D4) bone, or in condition of getting fixed at implant apex area, $\varnothing 2.2$ surgical drill is the final drill



If the Cortical Tap Drill for contra angle gets stuck in a bone, continue tapping by connecting Ratchet Connector and Torque Ratchet



Neobiotech Co.,Ltd

10F, 36, Digitalro-27Gil, Guro-Gu, Seoul, Korea, 08381

Tel 82-2-582-2885, Fax 82-2-582-2883 www.neobiotech.com / Made in Korea